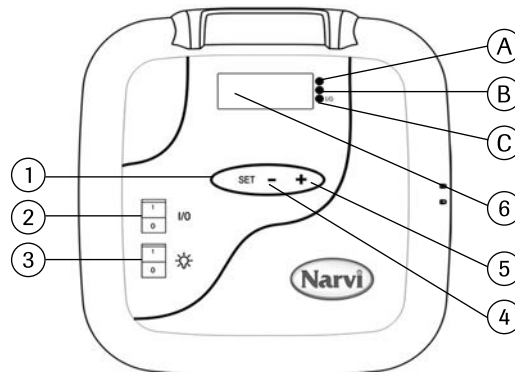


# GB CONTROL CENTRE C-2003

## 1.1 Functions of the buttons in the control centre



### 1. Functions of the scanning button

- I. A long push (a push of over a second) activates or sets the device in the normal state
- II. A short push (a push under a second) scans the menu.

2. When the screen is dark the button I/O turns the light on. Note! The sauna stove switches on immediately if the DIP switches are in the continuous position.

3. The switch to turn the light on in the sauna.

4. The regulator of time and temperature.

5. The regulator of time and temperature.

6. The screen.

## 1.2 Start-up of the control centre.

1. Push the button I/O to switch on.
2. 00:00 flashes on the screen. Set the hours.
3. Briefly push the button SET.
4. Set the minutes.
5. Briefly push the button SET.
6. Set the day. 1=Monday, 2=Tuesday, 3=Wednesday, 4=Thursday, 5=Friday, 6=Saturday, 7=Sunday
7. Briefly push the button SET.
8. Now the control centre is in the normal state.  
In the normal state, a light flashes on the screen.  
Move on to point 1.2.1 or 1.2.2.

## 1.2.1 Operating the control centre without a weekly clock function

9. A long push on the button SET activates the control centre.
10. The screen shows ON.
11. A short push on the button SET and the preselection time can be adjusted.
12. A short push on the button SET and the time to be switched on can be adjusted.
13. A short push on the button SET and the target temperature can be adjusted.
14. A short push on the button SET and the screen shows the temperature.

Note! The screen returns to the normal state in 10 seconds if no button is pushed. You have to go through the whole menu before the sauna stove starts.

## 1.2.2 Operating the control centre with a weekly clock function

6. A long push on the button SET activates the control centre.
7. The screen shows ON.
8. Push the button +.
9. Briefly push the button SET. Set the temperature desired.
10. Briefly the button SET and the temperature is memorised.
11. Push the button +. The screen shows space No 1 (-1-) where the temperature is memorised. There are 14 available spaces.
12. After memorising the space, briefly push the button SET and the hour when it starts flashes. Set the hours using the button +/-.
13. Briefly push the button SET after which the minutes when it starts flash. Set the minutes using the button +/-.
14. Briefly push set button SET and the hour when it ends flashes. Set the hours using the button +/-.
15. Briefly push the button SET and the minutes when it ends flash. Set the minutes using the button +/-.
16. Push the button SET and you can set the starting date. Date 0 means that there are no storage spaces available. For instance: Though you are given the times to start and end if the date is zero the sauna stove does not start at the given time.
17. After the given date briefly push the button SET.
18. Now, you can move on and programme the next storage spaces with the button +.
19. If you do not want to programme other storage spaces, do nothing, and the device returns to the normal state. The sauna stove starts at the given time.

## 1.3 Significance of the signal lamps

- A. Red=lit until the set temperature is achieved for the first time.
- B. Yellow=flashes when the screen shows the preselection time (time reduces).  
Yellow=lit when the screen shows the resting time is switched on.
- C. Green= flashes when the target temperature can be set.

## 1.4 Error detectors

- ERR1= Break in the sensor circle
- ERR2 = Short circuit
- ERR3 = Break in the electric circuit of the overheating guard
- ERR4 = Error in setting the weekly clock

NOTE! When an error is detected the sauna stove must be switched off.

## 1.5 Technical data

- The temperature regulator 40°C-115°C
- The screen of the temperature 20°C-125°C
- The jog at intervals of 1°C
- Time for preselection max. 24 h
- When 1h or under, the jog at intervals of 1 min.

## 2. Installation of the sensor casing

- The sensor casing in the control centre is installed according to Figure 2.

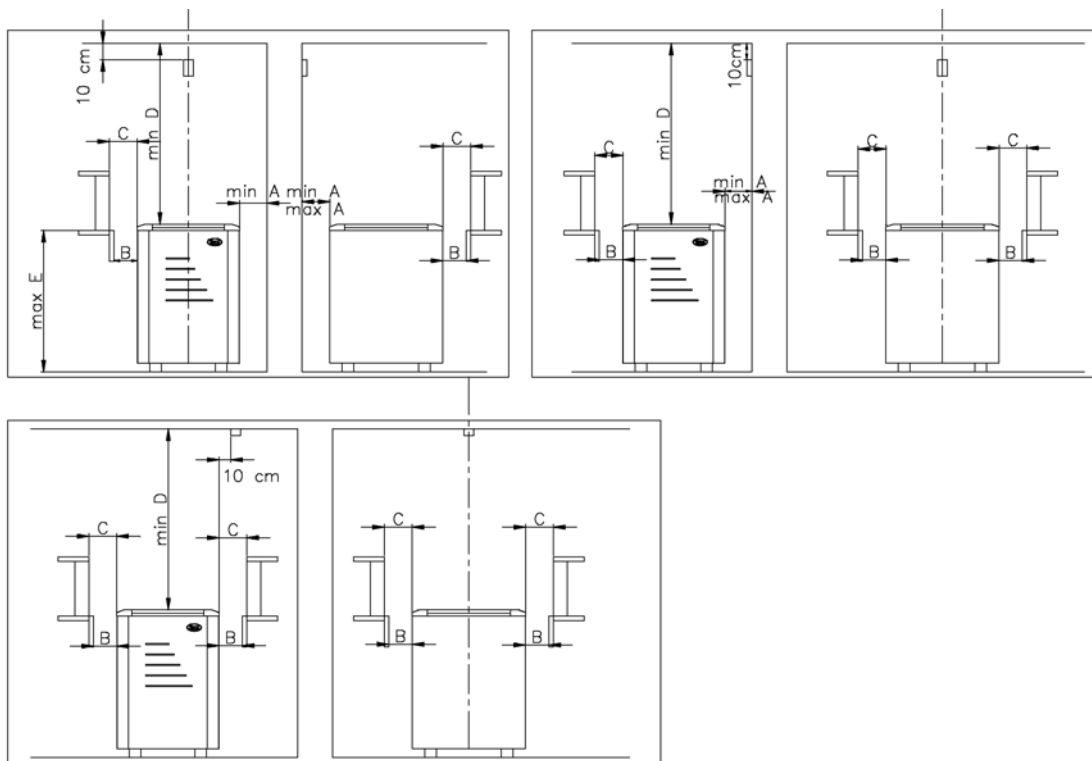


Figure 2. Installation of the sensor casing

### 3. Installation of the control centre

- The control centre must not be flush mounted. Figure 3.
- The control centre must be installed outside the steam room.

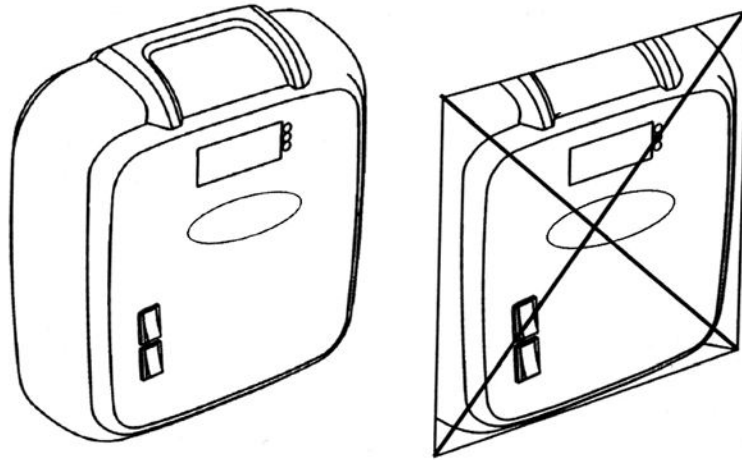


Figure 3. The control centre must not be flush mounted

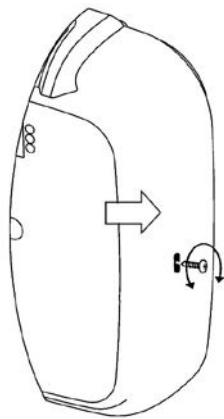


Figure 4. Opening the casing

- The casing must be opened by removing the screw after which a slotted screwdriver is pressed through the hole shown by the arrow.

- The casing is fastened with three screws to the wall. Figure 5.

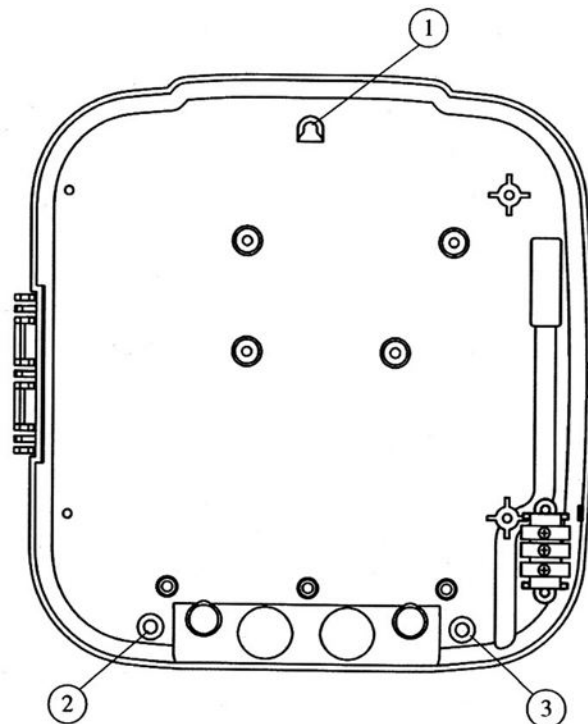



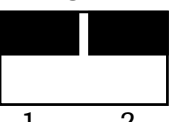


Figure 5. Fixing the casing.

## 5. Changing the time it is switched on

Position of DIP switch (J8)	Max. switching-on time
<p>ON</p>  <p>1 2</p>	6 h
<p>ON</p>  <p>1 2</p>	12 h
<p>ON</p>  <p>1 2</p>	18 h
<p>ON</p>  <p>1 2</p>	continuous

- An installer can set the time it is switched on using the switch DIP within the casing

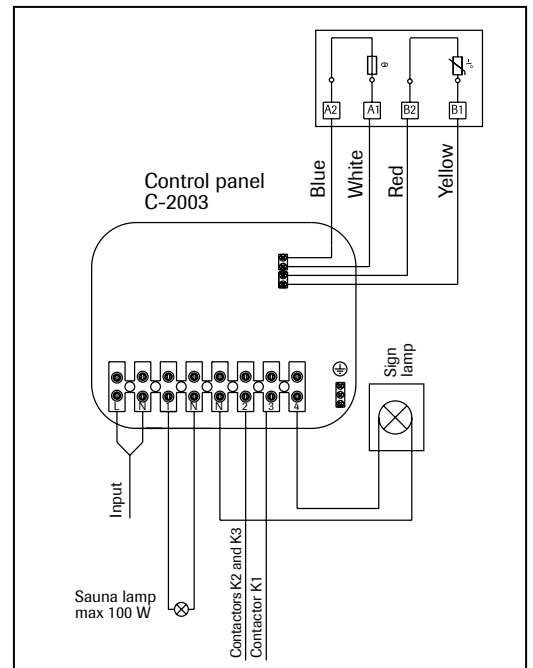


Figure 6

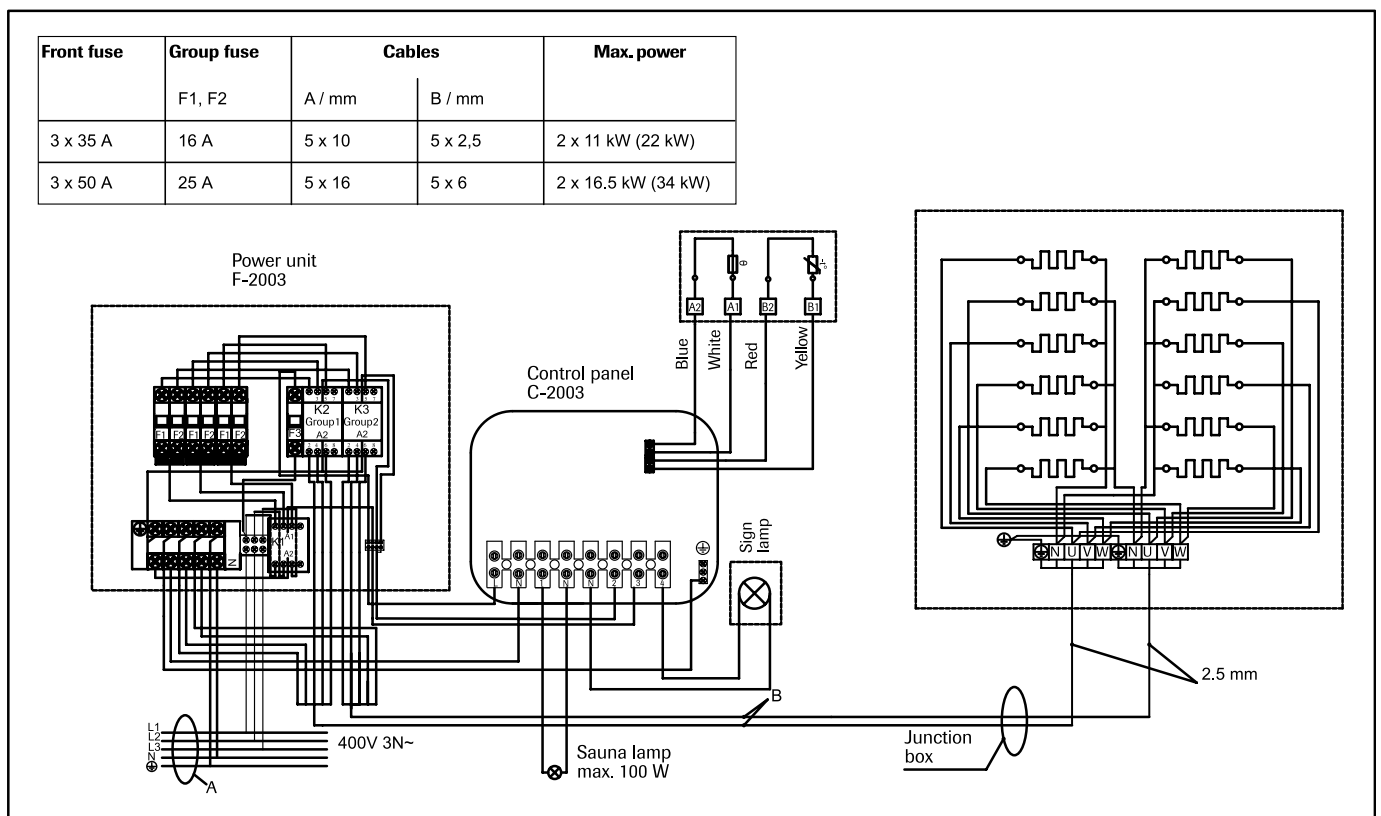


Figure 7. Switch diagram